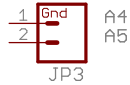
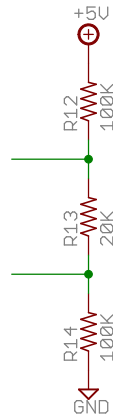
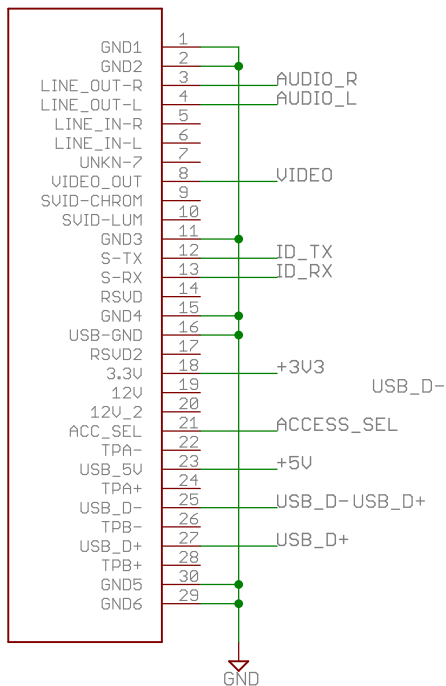


Arduino Pro-Mini

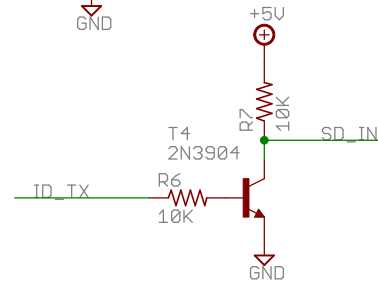
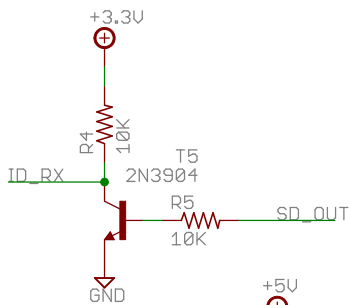


IPOD Connector

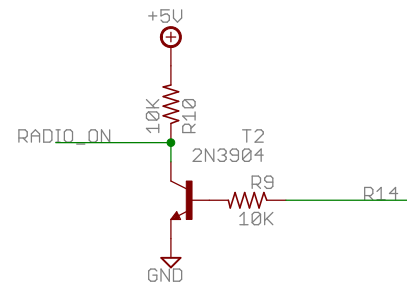
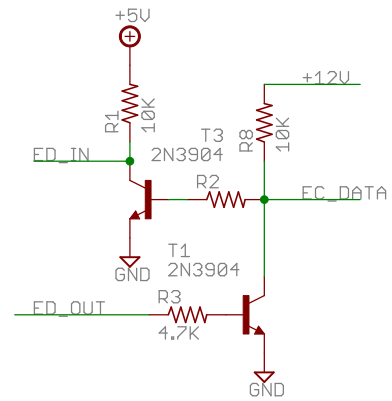
X2
IPOD_DOCK



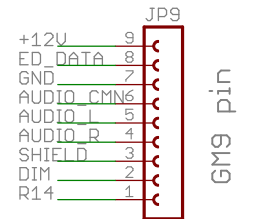
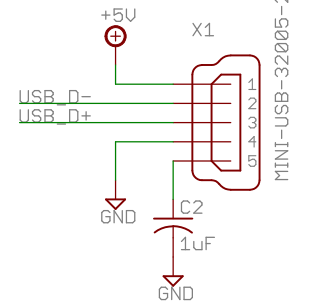
USB bias for Charging



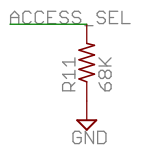
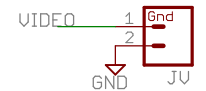
Level Translators



Level Translators



G9 pin



Ipod Accessory Selector

EZmakeit.com

TITLE: arduino_smart_dock2

Document Number:

REV:

Date: 1/3/2010 3:15:24 PM

Sheet: 1/1