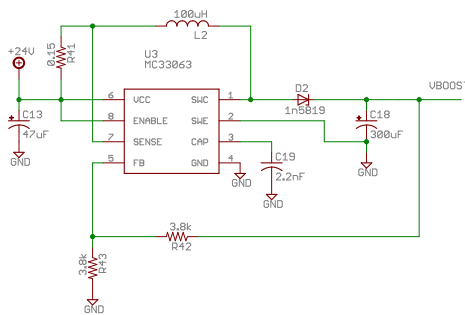
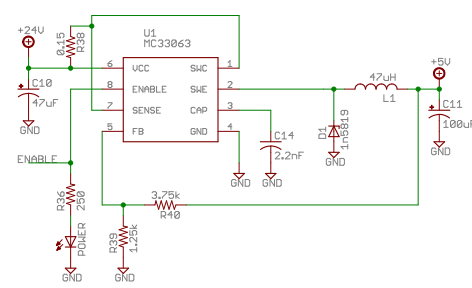


DCDC - BOOST



DCDC - Step Down



Half Bridge Power N-MOSFETS

